

Thermoregulator
Negative 1M - 1/2 doors

CABINETS PREMIUM

Dual temperature R290

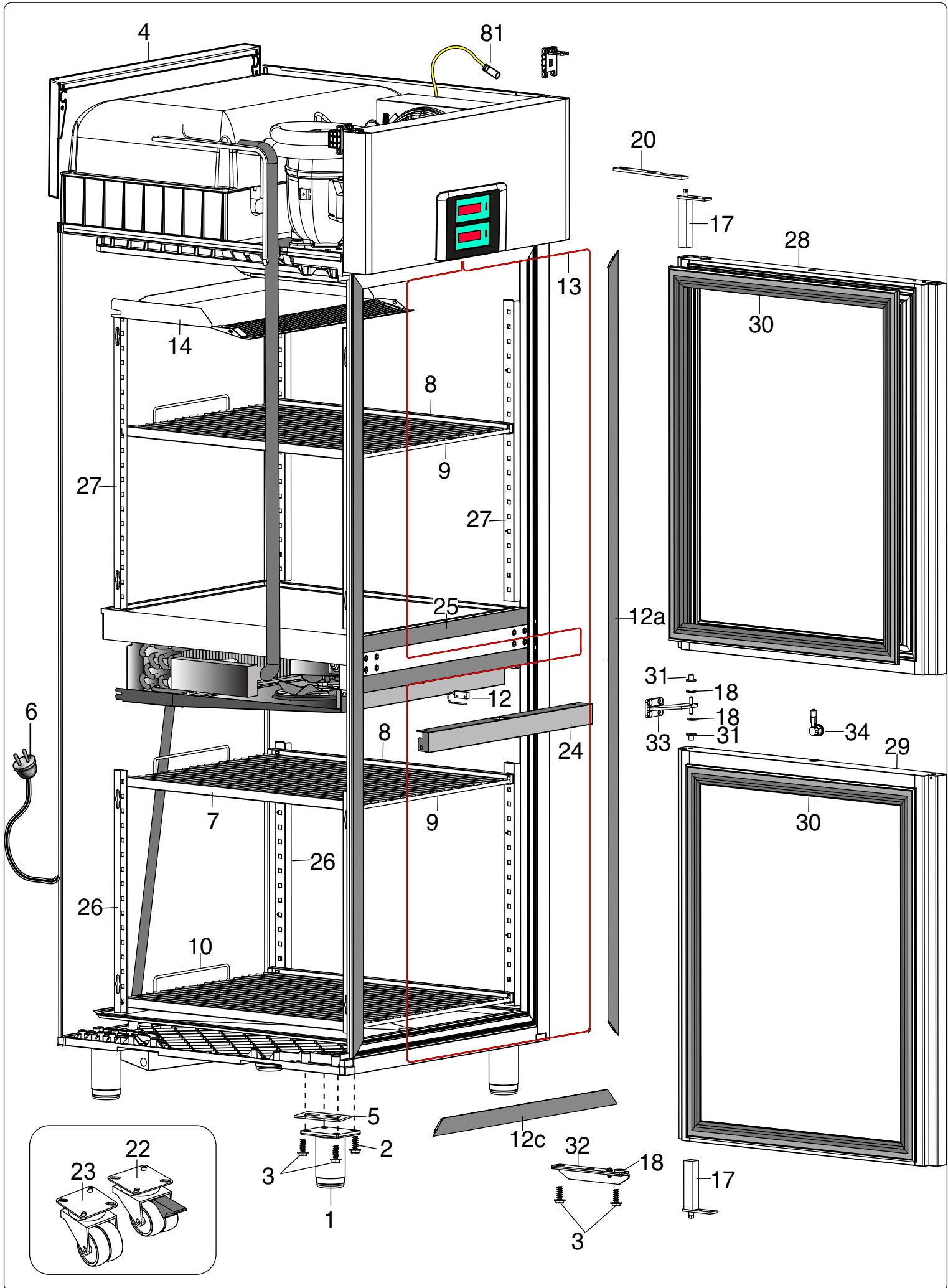
PNC	En.Ch.	Model	Ref.	Page
110592	00/00	2x½-DOOR DUAL REFR. 670L -2-22°,DIGITAL-R290	m	2-6
190969	00/00	2x½-DR DUAL REFR. 670L -2/-22°,DIG(R290)	g	2-6
727319	21/21	FV Dual 1/2 doors -2°/-22°C R290 Dig A304 Elux Prof	a	2-6
727387	15/22	FV Dual 1/2 doors -2°/-22°C R290 Dig A304 Elux Prof - UK	c	2-6
727459	16/16	FV Dual 1/2 doors -2°/-22°C R290 Elux Prof MC DONALDS	d	2-6
727536	07/07	FV 1M 2T TN/BT PREMIUM R290 -2/-22°C Elux Prof MC DONALDS	f	2-6
728692	15/21	FV Dual 1/2 doors -2°/-22°C R290 Dig A304 Apx	b	2-6
728738	11/18	FV Dual 1/2 doors -2°/-22°C R290 Dig A304 ALPEN - UK	e	2-

Note: per la corretta identificazione dei componenti, attenersi esclusivamente alle pagine indicate e alla lettera di riferimento.

Note: for the correct identification of the components, follow the indicated pages and the reference letter.

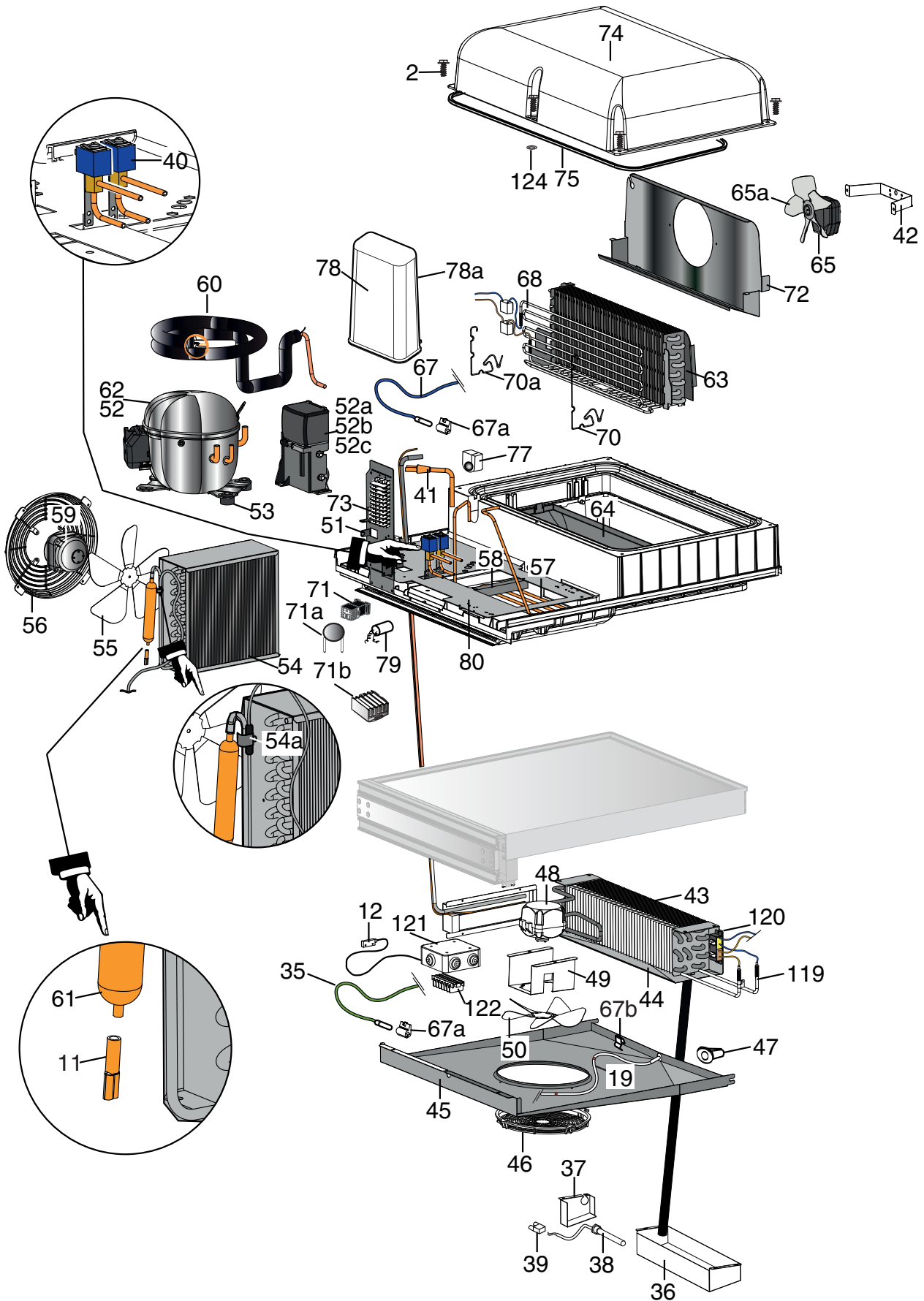
	Index	Indice
Pag. 2	Cabinet and door	Armadio e porta
3,4	Cooling unit assembly	Gruppo refrigerante
5,6	Control panel	Pannello comandi
7-10	Spare parts list	Lista ricambi

Rev 7



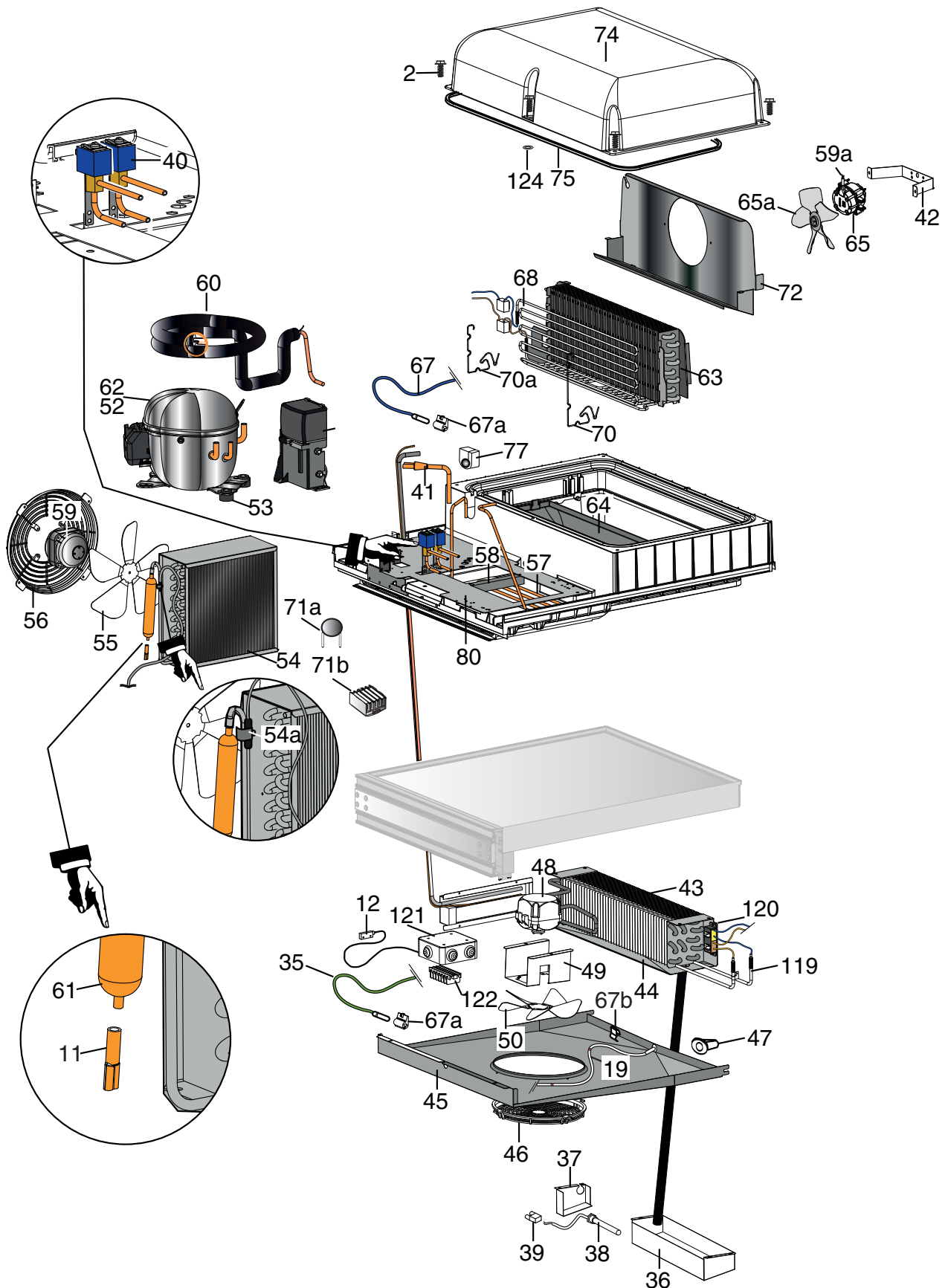
COOLING UNIT ASSEMBLY

up to 2021/37

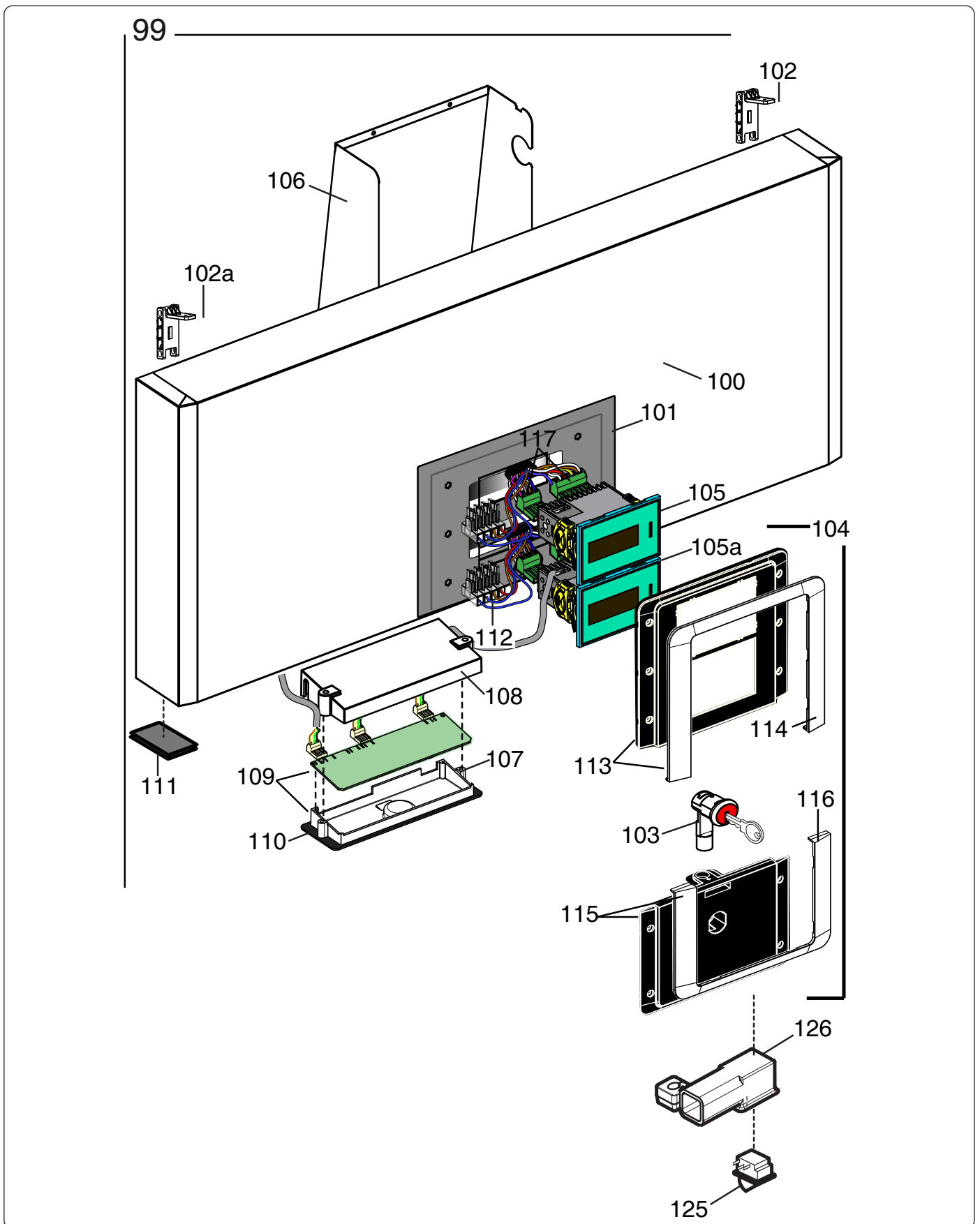


COOLING UNIT ASSEMBLY

from 2021/38

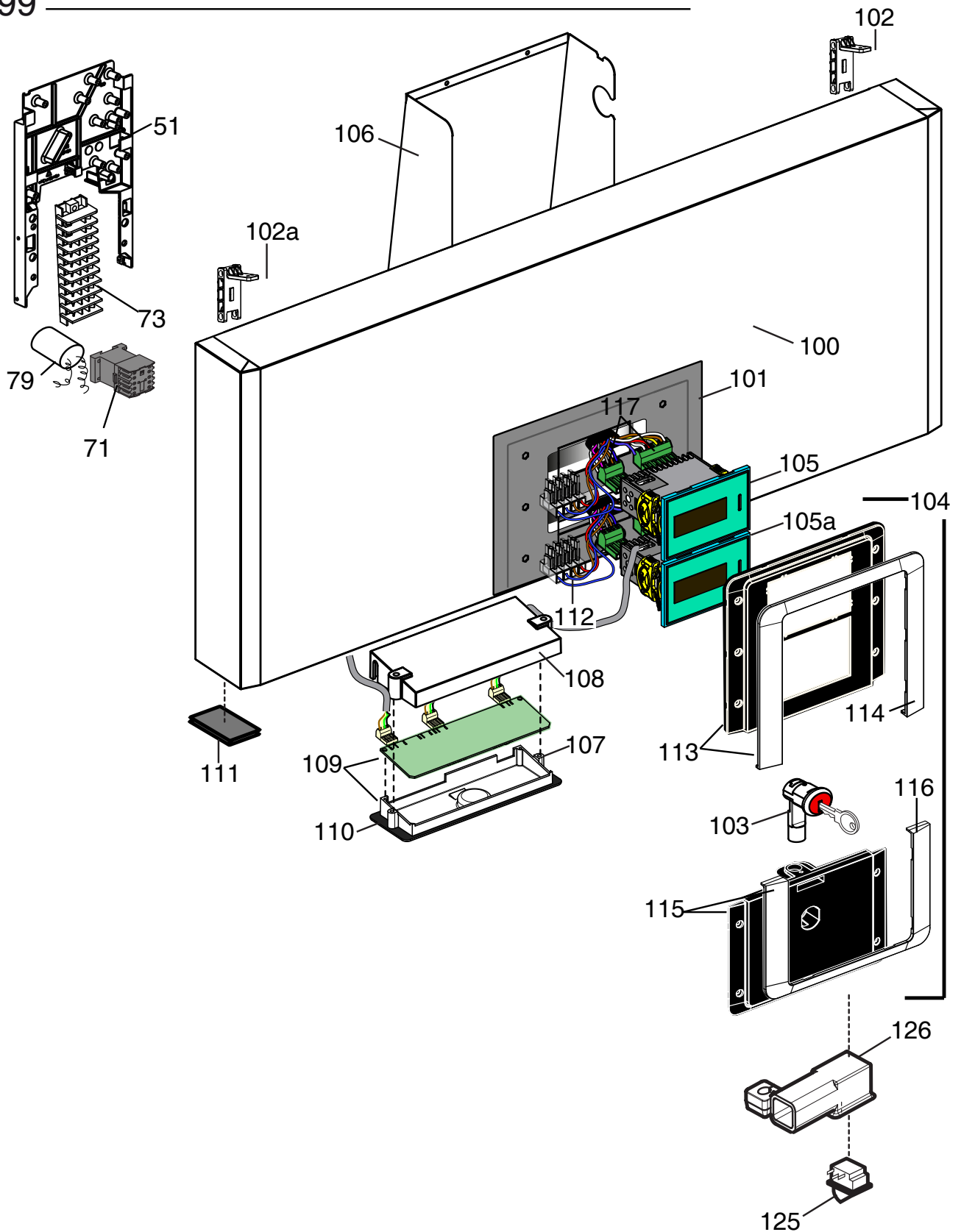


CONTROL PANEL up to 2021/37



CONTROL PANEL from 2021/38

99



Pos	Spare parts code	Factory code	Descrizione	Description	Ref - Note
1	093243	541R05001	Piedino	Foot	a,b,g,m
2	090144	514747100	Vite per plastica per piedino	Screw (use by fix foot)	
3	093246	518708601	Vite M8x20 per fiss. staffa sup/inf	Screw M8X20 (use by fix bracket)	
4	093247	502R17400	Staffa supporto fianchi	Side support	
5	093248	546R22800	Distanziale per piede	Foot spacer	
6	099991	638700602	Cavo di alimentazione SCHUKO	SCHUKO supply cable	a,b,f,g
6	095750	635R32300	Cavo di alimentazione SCHUKO	SCHUKO supply cable	m
7	093358	501R48000	Guida Sx AISI 304	Left support AISI 304	a,b,c,d,e,f,g,m
8	093359	501R48200	Guida Dx AISI 304	Right support AISI 304	a,b,c,d,e,f,g,m
9	093252	514R10600	Griglia 2/1 rilsan	Grid 2/1rilsan	a,c,d,e,f,g,m
9	093360	514R10700	Griglia 2/1 aisi 304	Grid 2/1 aisi 304	b
10	093253	514R12200	Griglia di fondo rilsan	Bottom grid rilsan	a,c,d,e,f,g,m
10	093296	514R12100	Griglia di fondo aisi 304	Bottom grid aisi 304	b
11	097130	515R13802	Raccordo per capillare	Joint capillary	
12	092319	640R01402	Micro porta inferiore	Lower door switch	Up to 2021/37
12	097290	640R04601	Micro porta inferiore	Lower door switch	From 2021/38
12a	093254	832R09001	Cornice orrizzontale	Orrizzontal frame	
12c	093256	832R09300	Cornice verticale 1/2 porte	Vertical frame 1/2 doors	
13	093331	617R07502	Cavo riscaldante cornice 28,35 W	Heating cable frame 28,35 W	
14	*	875R37401	Assieme carter interno	Internal protection assembly	
17	082219	835704001	Cerniera porta	Hinge door	
18	093517	546R23100	Boccola per porta	Door bush	
19	093534	617R07601	Resistenza scarico condensa Low.	Discharge heating element (lower comp)	
20	082257	505723801	Staffa superiore porta	Upper stirrup door	
21	093271	541R05301	Tappo per cerniere	Hole hinge plug	
22	093575	835R24900	Ruota rotante con freno	Brake weel	c,e
22	087110	835739900	Ruota rotante con freno	Brake weel	d, f
23	093574	835R24800	Ruota rotante	Weel	c,e
23	087111	835740000	Ruota rotante	Weel	d, f
24	093582	501R46702	Protezione evap. vano inferiore	Evaporator lower protection	
25	093272	832R10000	Cornice per traversa	Support half door frame	
26	093363	501R51700	Cremagliera ant./post 1/2 porte	Lower rack 1/2 doors a304	a,b,c,d,e,f,g,m
27	093364	501R46100	Cremagliera ant./post 1/2 porte 304	Upper rack 1/2 doors a304	a,b,c,d,e,f,g,m
28	093546	835R26310	Ass.1/2 porta superiore a304	Upper half door a304	a,b,c,d,e,f,g,m
29	093519	835R25509	Ass.1/2 porta inferiore a304	Lower half door a304	
30	094153	548R08100	Guarnizione magnetica 1/2 porte	Half door gasket	
31	093392	546R21100	Boccola per cerniera 1/2 porte	Half door bush	
32	093301	833R21900	Ass. cerniera inferiore	Lower hinge assembly	
33	093344	505R12400	Cerniera centrale	Central hinge door	
34	093433	833R21100	Serratura	Latch	
35	092183	646R07800	Sonda vano inferiore	Lower probe compartement	
36	093583	501R45802	Bacinella inferiore	Lower evaporator water basin	
37	*	501R58201	Protezione ptc	PTC protection	
38	093533	617R06601	Resistenza ptc 120W	PTC 120 W	
39	094750	639R12000	Connettore Maschio 3 vie	Male connector for ptc	
40	093435	646R10501	Elettrovalvola 220/23V 50 /60 hz	Solenoid valve 220/23V 50 /60 hz	Up to 2014/15
40	094435	646R10502	Elettrovalvola 220/23V 50 /60 hz	Solenoid valve 220/23V 50 /60 hz	From 2014/16
41	096648	515R13601	Giunzione per Scambiatori	Dual way connection for heat exchanger	

Pos	Spare parts code	Factory code	Descrizione	Description	Ref - Note
42	093326	501R45101	Staffa ventilatore Mes	Fan support mes	
43	095102	830R06102	Evaporatore vano inferiore 4R 5T	Lower evaporator 4R 5T	
44	093592	501R45902	Bacinella	Lower basin (evaporator)	
45	093440	833R21303	Bacinella/carter raccolta condensa	Condenser water basin/carter evap.	
46	091602	546R06100	Griglia protezione ventola	Fan protection	
47	091652	544R02501	Tubo di scarico	Discharge pipe	
48	093366	682R05900	Ventilatore EBM	EBM fan	Up to 2015/05
48	094477	682R08600	Ventilatore EBM	EBM fan	From 2015/06 Up to 2021/37
48	096482	682R12700	Ventilatore EBM	EBM fan	From 2021/38 Up to 2022/18
48	096995	682R14200	Ventilatore ELCO	ELCO fan	From 2022/19
49	096564	502R17002	Supporto ventilatore	Fan support	Up to 2021/37
49	097270	504R23100	Supporto ventilatore	Fan support	From 2021/38
50	093783	511R01200	Ventola 200X28	Fan 200X28 ASPETTARE PROG.	
51		502R24300	Supporto impianto elettrico	Electrical wiring support	Up to 2021/37
51	097284	546R43401	Supporto impianto elettrico	Electrical wiring support	From 2021/38
52	093422	684R05800	Compressore (NT21700U)220-40/50	Compressor (NT21700U)220-40/50	Up to 2023/34
52	094840	684R11900	Compressore NEU2168U EMBRACO	Compressor NEU2168U EMBRACO	From 2023/35
52a	092587	*	Relè avviamento	Start relay	
52b	093751	*	Protettore	Protector	
52c	093752	*	Condensatore di avviamento	Start capacitor	
53	099872	541714500	Gommino compressore	Rubber compressor	
54	093333	830R04900	Condensatore 4R 11T (alettato)	Condenser 4R 11T	
54a	092360	646R09400	Sonda condensatore	Probe condenser	a,b,c,d,e,f,g
55	089697	511708800	Ventola 230-31	Ventola 230-31	
56	089755	546709500	Protezione ventola	Fan protection	
57	096537	515R13200	Serpentina evap. acqua di condensa	Evaporation water pipe	Up to 2023/34
57	095075	515R21201	Serpentina evap. acqua di condensa	Evaporation water pipe	From 2023/35
58	093260	543R09300	Fissaggio serpentina	Stopper pipe	
59	096995	682R14200	Ventilatore condensatore VN 11 20	Condenser fan (VN 11 20)	
59a	097055	635R37900	Cablaggio ventilatore	Fan wiring	
60	*	858R07300	Scambiatore sup	Heat exchanger (upper)	
61	0A9410	805734802	Filtro 2 vie	Dehydrator filter	
62	0A8171	A02021800	Valvola per compressore	Compressor valve (charge or disch.)	
63	093323	830R03901	Evaporatore 2R 8T	Evaporator 2R 8T	
64	093469	833R19201	Vaschetta evaporatore	Evaporator tray	
65	093417	682R06100	Ventilatore evaporatore (mes)	Evaporator fan (mes)	up to 2013/09
65	093777	682R06601	Ventilatore evaporatore (EBM)	Evaporator fan (EBM)	from 2013/10 up to 2021/37
65	097000	682R02C00	Ventilatore evaporatore (FIME)	Evaporator fan (FIME)	from 2021/38
65a	093418	541R05500	Ventola 150 mes	Fan 150 mes	up to 2013/09
67	092173	646R06700	Sonda cella	Cavity probe	
67a	091061	546R07500	Gabbietta per sonda	Probe protection	
67b	093547	514R12900	Fermo per cavo riscaldante	Stopper/spring for heating cable	
68	093327	617R06101	Resistenza con termostati	Heating element with thermostat	Up to 2021/37
68	097286	617R25400	Resistenza con termostati	Heating element with thermostat	From 2021/38
69	093487	514R11600	Molla per fissaggio termostati	Thermostat spring	
70	093368	514R10800	Molla per fissaggio resistenza 2R	Heating element spring 2R (big) 176mm	

Pos	Spare parts code	Factory code	Descrizione	Description	Ref - Note
70a	093353	514R12000	Molla per fissaggio resistenza	Heating element spring (small) 84 mm	
71	093848	648R06300	Relè FINDER 66.82.8.230.0001	Relay FINDER 66.82.8.230.0001	
71a	093776	648R05300	Varistore ELCO Var 285	Varistor ELCO Var 285	
71b	093775	648R05700	Dissipatore OPTO	Electrical heat exchanger	
72	093294	501R44003	Convogliatore evaporatore 1 fori	Evaporator conveyor one hole 154mm	
73	093599	639R10000	Morsettiera	Clamp	
74	093261	835R24100	Assieme Calotta	Evaporator cover	Up to 6181
74	095201	835R47601	Assieme Calotta	Evaporator cover	From 6191
*	095200	0881R32401	Modulo Calotta TN	Evaporator cover Module TN	
*	095202	0546R34400	Staffa per calotta schiumata	Support for foamed Evaporator	
75	093262	14701R003	Neoprene espa. 8x13,3 nero (M4)	Gasket cover (neoprene 8x13,3)	
77	093263	546R19702	Tamponcino per tubi	Pipe cover insulation	
78	094425	546R26501	Copertura scatola impianto elettrico	Wiring box cover	Up to 2021/37
78a	093976	546R26701	Scatola impianto elettrico	Wiring box	Up to 2021/37
79	096636	694R00502	Filtro antidisturbo	Electrical filter	a,b,c,d,e,f,g,m
80	094451	546R26800	Basamento gruppo	Basement	
81	093371	646R10900	Sonda ambiente	Ambient probe	a,b,c,d,e,f,g,m
99	*	880R59005	Ass.Cruscotto senza masche. A304	Ass. panel without template A304	a,b,c,d,e,f,g,m up to 2021/37
99	*	883R32102	Ass.cruscotto senza masc. A304 GEWISS	Ass. panel without template A304 GEWISS	d from 2021/38
99	*	883R22503	Ass.cruscotto senza masche. A304	Ass. panel without template A304	a,b,f,m from 2021/38
99	*	883R22403	Ass.cruscotto senza masche. A304	Ass. panel without template A304	g from 2021/38 up to 2022/04
99		883R70400	Ass.cruscotto senza masche. A304	Ass. panel without template A304	g from 2022/05
100	093525	509R13404	Cruscotto	Panel 304 AISI	Up to 2021/37
100		509R25001	Cruscotto	Panel 304 AISI	From 2021/38
101	095025	598R81900	Membrana adesiva Zanussi	Zanussi sticker	h
101	097059	598R98701	Membrana adesiva Zanussi	Zanussi sticker	
101	095026	598R82001	Membrana adesiva Electrolux Prof	Electrolux Professional sticker	i
101	097057	598R98401	Membrana adesiva Electrolux Prof	Electrolux Professional sticker	
102	093609	832R10100	Cerniera per cruscotto dx	Hinge for panel dx	
102a	093610	832R10200	Cerniera per cruscotto sx	Hinge for panel sx	
103	093345	833R20900	Serratura	Latch	
104	093596	855R11701	Ass.mascherina porta/cruscotto Elux Prof	Complete template door and panel	a,c,d,f,g
104	095792	855R11800	Ass.mascherina porta/cruscotto Zan	Complete template door and panel	m
104	*	855R11900	Ass.mascherina porta/cruscotto Apx	Complete template door and panel	b,e
105	093437	646R10602	Termoregolatore ir33 main	Thermoregulator premium main	To be set
105a	093439	646R11401	Termoregolatore ir33 slave	Thermoregulator premium slave	To be set
106	093975	546R26600	Protezione	Protection led-lamp	h,i,l always
106	093975	546R26600	Protezione	Protection led-lamp	a,b,c,d,e,f,g,m Up to 2021/37
106	094389	501R37403	Protezione	Protection led-lamp	a,b,c,d,e,f,g,m From 2021/38 Up to 2021/43
106	097245	504R35000	Protezione	Protection led-lamp	From 2021/44
107	093386	546R19501	Supporto scheda led	Support led-lamp	
108	093387	546R19600	Protezione scheda led	Protection led-lamp	a,b,c,d,e,f,g,m

Pos	Spare parts code	Factory code	Descrizione	Description	Ref - Note
109	093810	855R12700	Ass. scheda led+supp. plastica	Led-lamp board GL + Support	a,b,c,d,e,f,g,m
110	093390	569R05900	Guarnizione per scheda led	Ledlamp board gasket	a,b,c,d,e,f,g,m
111	093269	541R05401	Tappo fori cerniera	Plug hinge	
112	093391	639R10400	Morsetto	Clamp	
113	*	855R11400	Ass. mascherina cruscotto Elux Prof	Assembled template panel Elux Prof	a,c,d,f,g
113	*	855R11500	Ass. mascherina cruscotto Zan	Assembled template panel Zan	m
113	*	855R11600	Ass. mascherina cruscotto APX	Assembled template panel APX	b,e
114	*	546R20000	Cornice mascherina cruscotto Elux Prof	Template frame for panel Elux Prof	a,c,d,f,g
114	*	546R20100	Cornice mascherina cruscotto Zan/Apx	Template frame for panel Zan/Apx	b,e,m
115	*	855R10500	Ass. mascherina porta Elux Prof	Assembled template door Elux Prof	a,c,d,f,g
115	*	855R10600	Ass. mascherina porta Zan	Assembled template door Zan	m
115	*	855R10700	Ass. mascherina porta APX	Assembled template door APX	b,e
116	*	546R20200	Cornice mascherina porta Elux Prof	Control door frame Elux Prof	a,c,d,f,g
116	*	546R20300	Cornice mascherina porta Zan/Apx	Control door frame Zan/Apx	b,e,m
*	093491	217541085	Vite per fissaggio mascherina M3x8	Screws M3X8 for control door/panel	a,b,c,d,e,f,g
117	*	639R06800	Connettore dritto 3 vie	Connector 3 ways right	
117	*	639R06900	Connettore dritto 7 vie	Connector 7 ways right	
117	099740	*	Connettore 90° 7 vie	Connector 7 ways 90°	
117	099741	*	Connettore 90° 5 vie	Connector 5 ways 90°	
117	088998	*	Connettore 90° 3 vie	Connector 3 ways 90°	
117	099743	*	Connettore 90° 3 vie piccolo	Connector 3 ways 90° small	
117	099742	*	Connettore 90° 2 vie	Connector 2 ways 90°	
117	091682	*	Connettore 90° 4 vie	Connector 4 ways 90°	
117	091684	*	Connettore 90° 5 vie	Connector 5 ways 90°	
*	093180	639R09600	Convertitore spina UK	UK plug converter	c,e
119	093421	617R06502	Resistenza vano inferiore evap.	Heating element lower evaporator	
120	*	501R58101	Supporto termostati	Thermostat support	
121	093593	639R11600	Scatola Gewis	Scatola Gewis	
122	0A9312	639712400	Morsettiera	Clamp	
124	*	546R23900	Rondella	Washer	